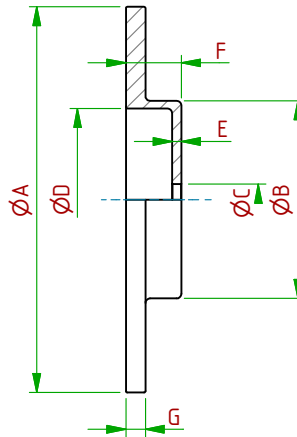
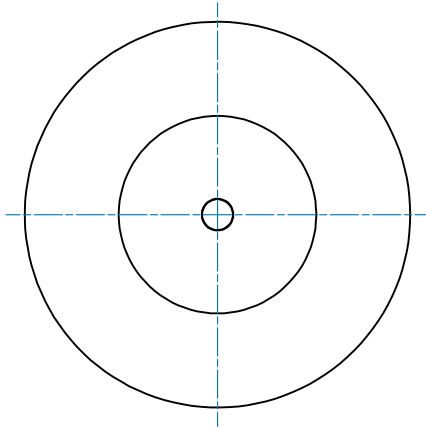
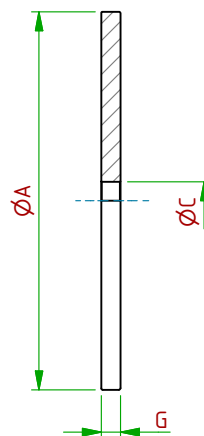
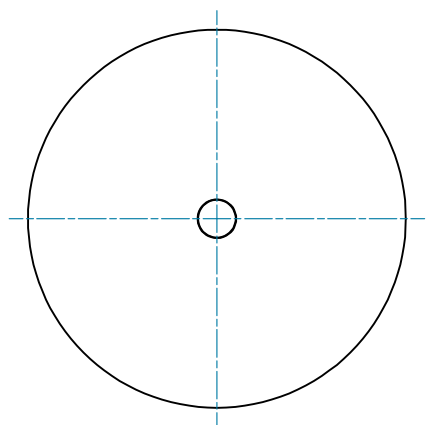


DF
Disco freno/Brake Disc


Materiale: Ghisa Sferoidale GS400-12
Material: Spheroidal Graphite Iron

MODELLO MODEL	CODICE CODE	A	B	C	D	E	F	G	Inerzia Inertia	Peso Weight	Velocita' Max Lavoro Maximum Disc Speed
				Grezzo/Rough							
DF 250	4.150.250.01	250	128	20	118	6	36	12.7	0.04kgm ²	4.3kg	2300 R.P.M.
DF 251	4.150.251.01	250	105	20	80	12	36	12.7	0.04kgm ²	4.0kg	2300 R.P.M.
DF 300	4.150.300.01	300	180	30	163	13	41	12.7	0.09kgm ²	7.4kg	1900 R.P.M.
DF 301	4.150.301.01	300	150	30	130	13	41	12.7	0.08kgm ²	7.2kg	1900 R.P.M.
DF 356	4.150.356.01	356	210	40	173	16	54	12.7	0.21kgm ²	12.4kg	1600 R.P.M.
DF 406	4.150.406.01	406	260	44	236	16	54	12.7	0.35kgm ²	15.4kg	1400 R.P.M.
DF 457	4.150.457.01	457	311	44	276	16	54	12.7	0.60kgm ²	20.7kg	1250 R.P.M.
DF 514	4.150.514.01	514	368	44	340	16	54	12.7	0.93kgm ²	25.8kg	1100 R.P.M.
DF 610	4.150.610.01	610	464	44	430	16	54	12.7	1.90kgm ²	37.4kg	900 R.P.M.
DF 711	4.150.711.01	711	565	80	528	19	54	12.7	3.35kgm ²	54.7kg	800 R.P.M.
DF 610/25	4.151.610.01	610	343	60	280	38	76	25.4	3.00kgm ²	70.0kg	900 R.P.M.
DF 762/25	4.151.762.01	762	495	100	431	38	76	25.4	7.50kgm ²	110.0kg	750 R.P.M.

DFD
Disco Freno Dritto / Flat Brake Disc


Materiale: Ghisa Sferoidale GS400-12
Material: Spheroidal Graphite Iron

MODELLO MODEL	CODICE CODE	A	C	G	Inerzia Inertia	Peso Weight	Velocita' Max Lavoro Maximum Disc Speed
		Grezzo/Rough					
DFD 135	4.152.135.01	135	20	12.7	0.003kgm ²	1.3kg	4000 R.P.M.
DFD 155	4.152.155.01	155	20	12.7	0.005kgm ²	1.7kg	3500 R.P.M.
DFD 175	4.152.175.01	175	25	12.7	0.009kgm ²	2.2kg	3000 R.P.M.
DFD 205	4.152.205.01	205	25	12.7	0.017kgm ²	3.0kg	2600 R.P.M.
DFD 250	4.152.250.01	250	25	12.7	0.035kgm ²	4.4kg	2300 R.P.M.
DFD 300	4.152.300.01	300	30	12.7	0.073kgm ²	6.4kg	1900 R.P.M.
DFD 356	4.152.356.01	356	35	12.7	0.145kgm ²	8.9kg	1600 R.P.M.